



CEILING  
LIGHTING  
AMBIENCE



# TOMEIO

CEILING -LIGHTING-COMBINATION

[durlum.us](http://durlum.us)

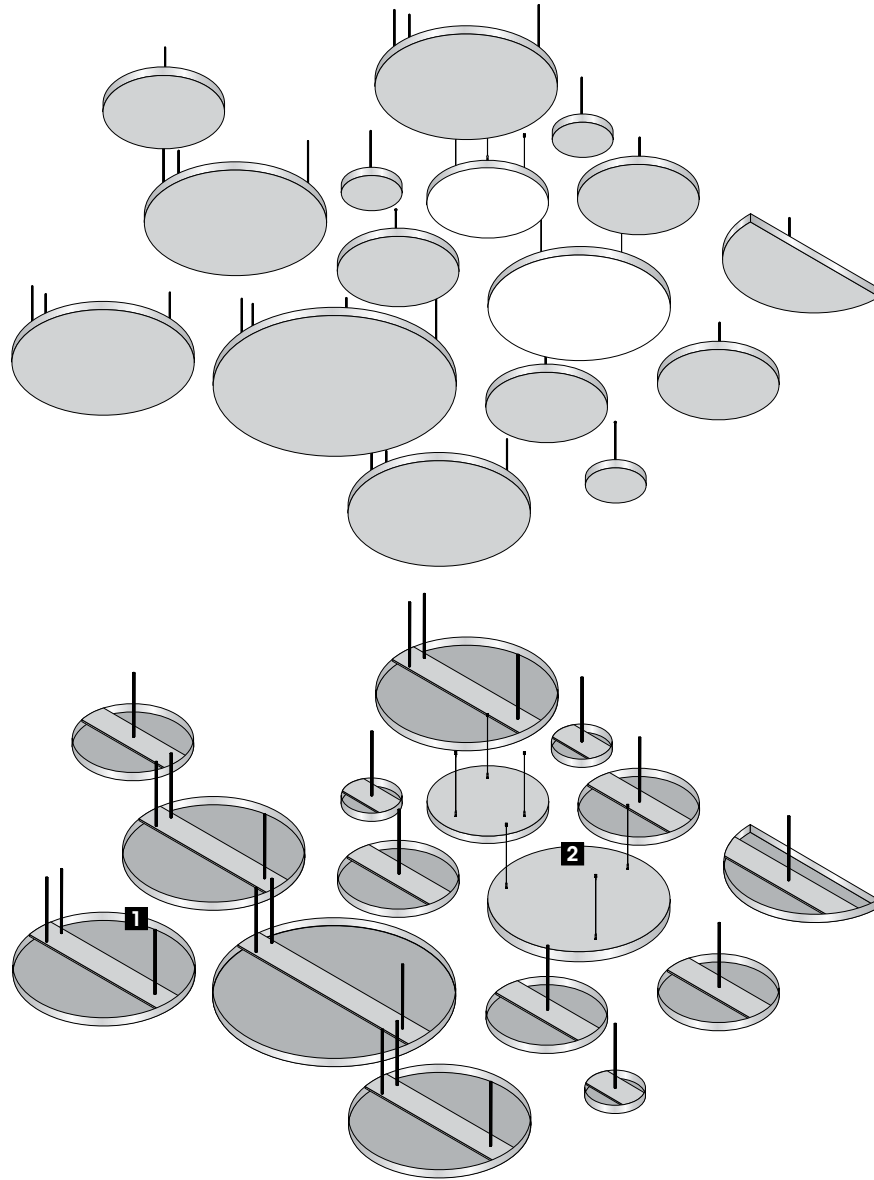


Your contact for  
North America

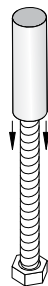


PRODUCT DATA SHEET

CEILING-LIGHTING-COMBINATION

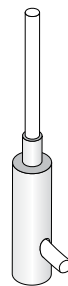


1



Threaded rod with or without white pipe sleeve

2



Cable suspension for LUMEOR

CEILING-LIGHTING-COMBINATION

The esthetic ceiling-lighting combination TOMEO-R integrates itself perfectly in rooms with a particular atmosphere. The filigree ceiling and lighting elements are optimally coordinated with each another and can be designed individually in size, form and colour. The opened system is suitable for rooms with or without cement core activation and integrates discreetly in the ceiling concept functions like acoustic, smoke extractors and sprinklers.

The LUMEO-R LED-illuminated surfaces stand out due to an homogeneous illumination. The luminaire is covered with our tried and tested, high-quality DUROSATIN.

**SURFACE**

TOMEO-R ceiling elements and LUMEO-R luminaires can all be supplied in any RAL-colours. Durlum standard is similar to RAL 9010 and RAL 9016.

**PERFORATION AND ACOUSTICS**

TOMEO-R can be equipped with various absorption materials, e.g. fleece-clad mineral wool. TOMEO-R also absorbs through non-perforated surfaces.

The ceiling elements can also be supplied in perforated form with acoustic fleece-backed material. The RD-L30 perforation pattern is highly suited to this purpose.

**FIRE PERFORMANCE**

In accordance with ASTM E84 Flame Spread Index for steel is 25 or less and Smoke Developed Index for steel is 50 or less.

**GREEN BUILDING**

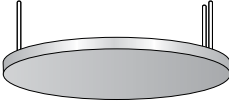

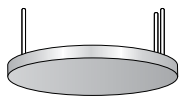




Durlum metal panels contribute directly to LEED and other GREEN BUILDING certifications. Typically applicable credits under LEED v4:

- Recycled Content – post- & pre-consumer info
- VOC Emissions – conformity with VOC requirements
- Acoustic Performance – sound absorption with acoustic fleece
- Environmental Product Declaration – available

No substances as outlined in the US Living Building v.3 Red List are internationally used.

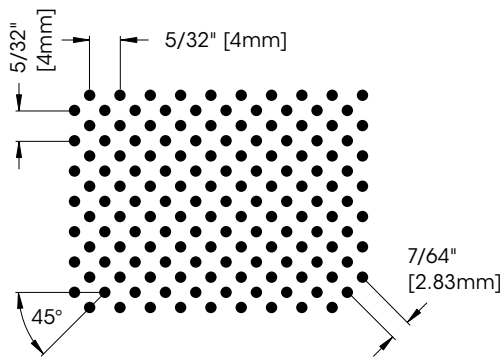
Learn more: [greenbuilding@durlum.us](mailto:greenbuilding@durlum.us)

**DIMENSIONS**

TOMEO-R ceiling element	LUMEO-R LED illuminated surfaces
<p>Ø 3' 11 1/4" [1200mm], H = 2 3/8" [60mm]</p> 	<p>Ø 3'-11" [1194mm], H = 2 3/8"+1 3/8" [60 + 35mm]</p> 
<p>Ø 2' 11 3/16" [893mm], H = 2 3/8" [60mm]</p> 	<p>Ø 2'-11 3/16" [894mm], H = 2 3/8"+1 3/8" [60 + 35mm]</p> 
<p>Ø 1' 11 3/8" [593mm], H = 2 3/8" [60mm]</p> 	<p>Ø 1'-11 3/8" [594 mm], H = 2 3/8"+1 3/8" [60 + 35mm]</p> 
<p>Ø 11 9/16" [293mm], H = 2 3/8" [60mm]</p> 	

**PERFORATION**

**Perforation RD-L30**



Hole diameter:	1/16" [1.5mm]
Open area:	22.00%
Max. width of perforation:	4'-8 11/16" [1 440mm]
Max. plate width:	4'-7 1/8" [1 400mm]

**INSTALLATION**

TOMEO-R can be suspended using cables or installed directly on the raw ceiling or false ceiling using a 1/4" [M6] or 5/16" [M8] threaded rod with pipe sleeve. The system can be installed without the need for wall mountings, but can also be fitted flush to the wall with semi-circular ceiling elements if required.

**Please note**

Installation must be carried out by qualified and trained staff according to the instructions for installation. These are available as download at [durlum.us](http://durlum.us).

**TECHNICAL STANDARDS**

The parts comply with DIN EN 13964 as well as ASTM C635 and ASTM E1264. Production complies with the TAIM and CISCA guidelines and the durlum works standards and is quality controlled by the TÜV according to ISO 9001:2008 and ISO 14001:2004.

**CLEANING**

As standard, durlum ceiling panels are made with an electrostatic polyester powder coating, thus providing them with a long-term finish. The powder-coated surface should always be cleaned wearing clean gloves. First clean it with a soft, dry cloth. If dirt cannot be removed by this procedure, the cloth can also be moistened, with the addition of a pH-neutral cleaner [household detergent], if necessary. Contact of the powder coating with both alkaline and acid substances must be avoided. Metallic powder coatings show a particularly sensitive reaction. Due to the risk of a change in hue or effect, for metallic coatings a suitability test must be performed.

**More information:** [durlum.us](http://durlum.us)

**MANUFACTURER**



**durlum GmbH**  
 An der Wiese 5  
 79650 Schopfheim  
 Germany

Phone +49.7622.3905.0  
[info@durlum.us](mailto:info@durlum.us)  
[durlum.us](http://durlum.us)

**CONTACT**



**FORMGLAS SPECIALTY SOLUTIONS LTD.**  
 181 Regina Road  
 Vaughan, Ontario | Canada L4L 8M3

Toll Free +1.866.635.8030  
 Main +1.416.635.8030  
[durlum@formglas.com](mailto:durlum@formglas.com)  
[durlum.us](http://durlum.us)